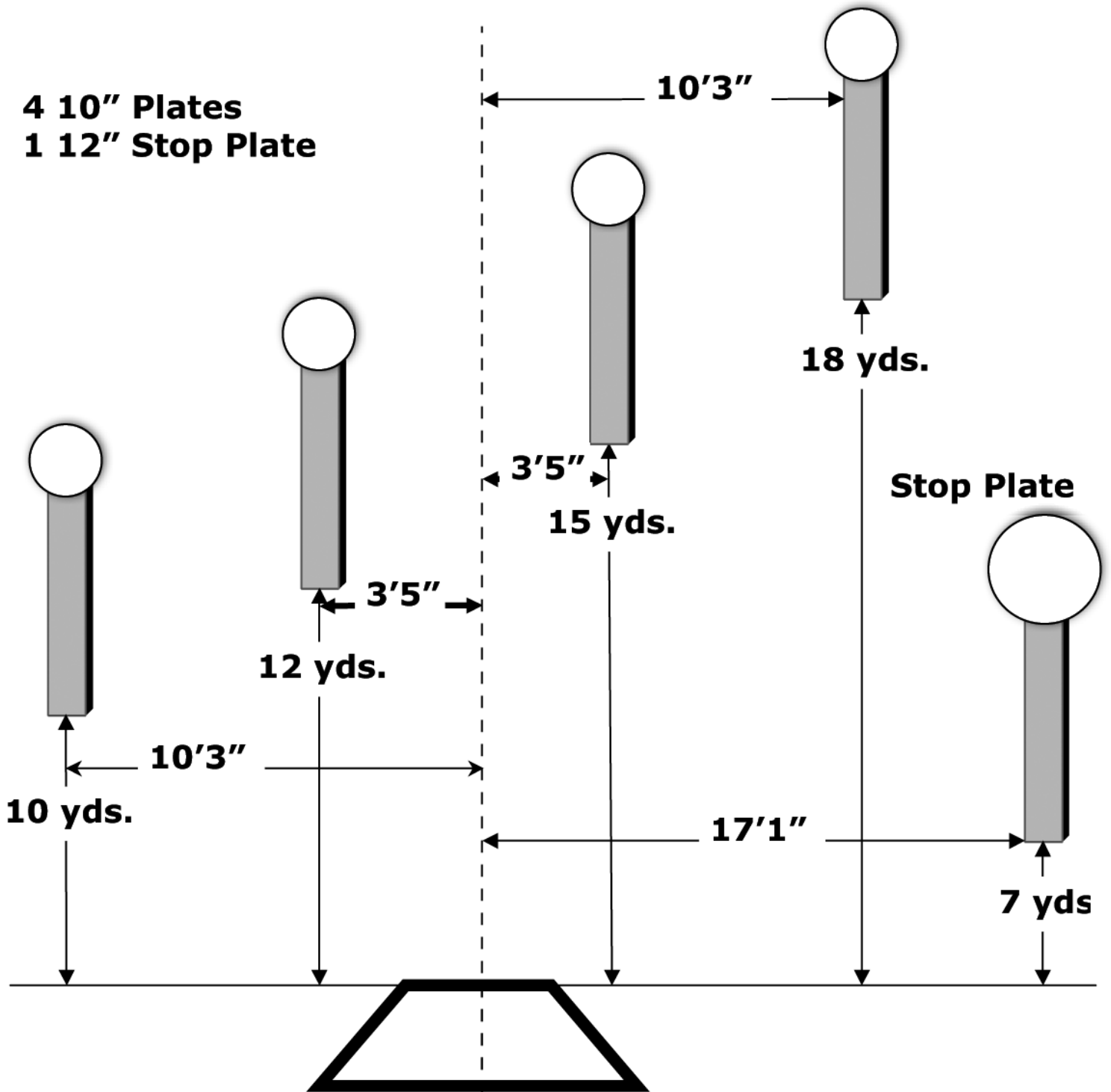
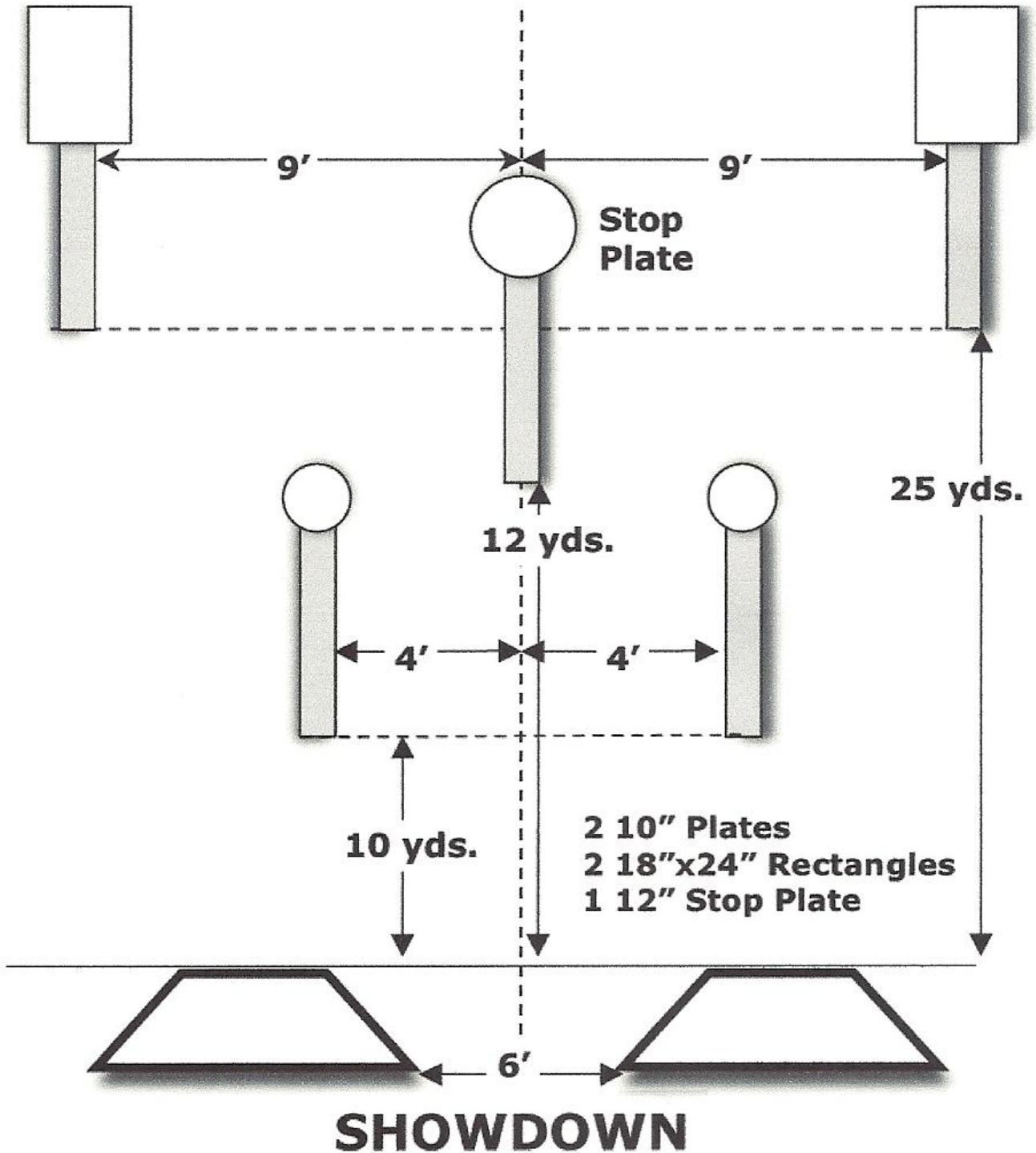


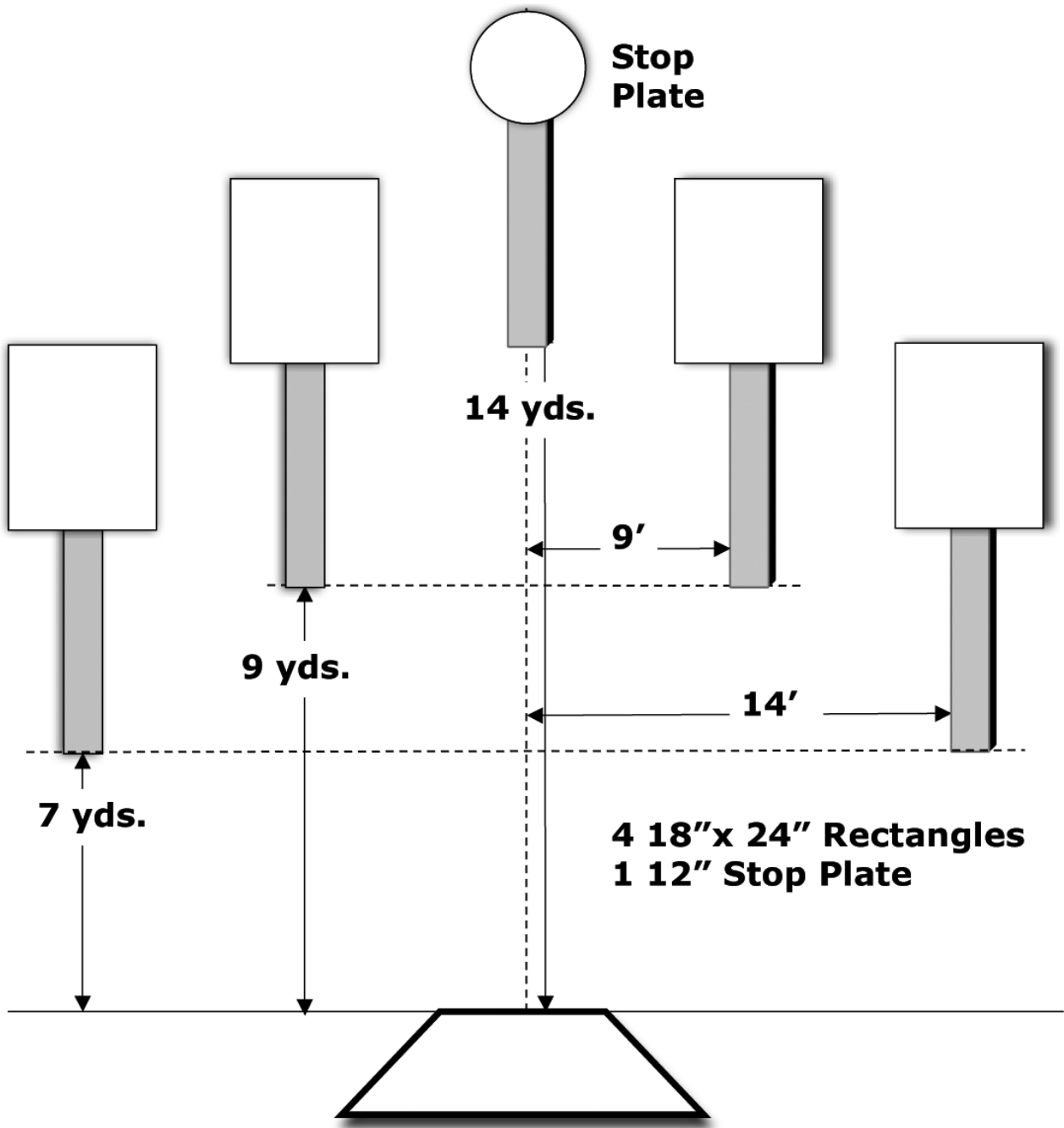
4 10" Plates
1 12" Stop Plate



FIVE TO GO

Showdown will have two 3'x 3' shooting boxes and two runs will be shot from one shooting box and two from the other. The competitor may choose from either box to shoot their fifth and final run. There is NO movement between boxes during this course of fire.





**Stop
Plate**

14 yds.

9'

9 yds.

14'

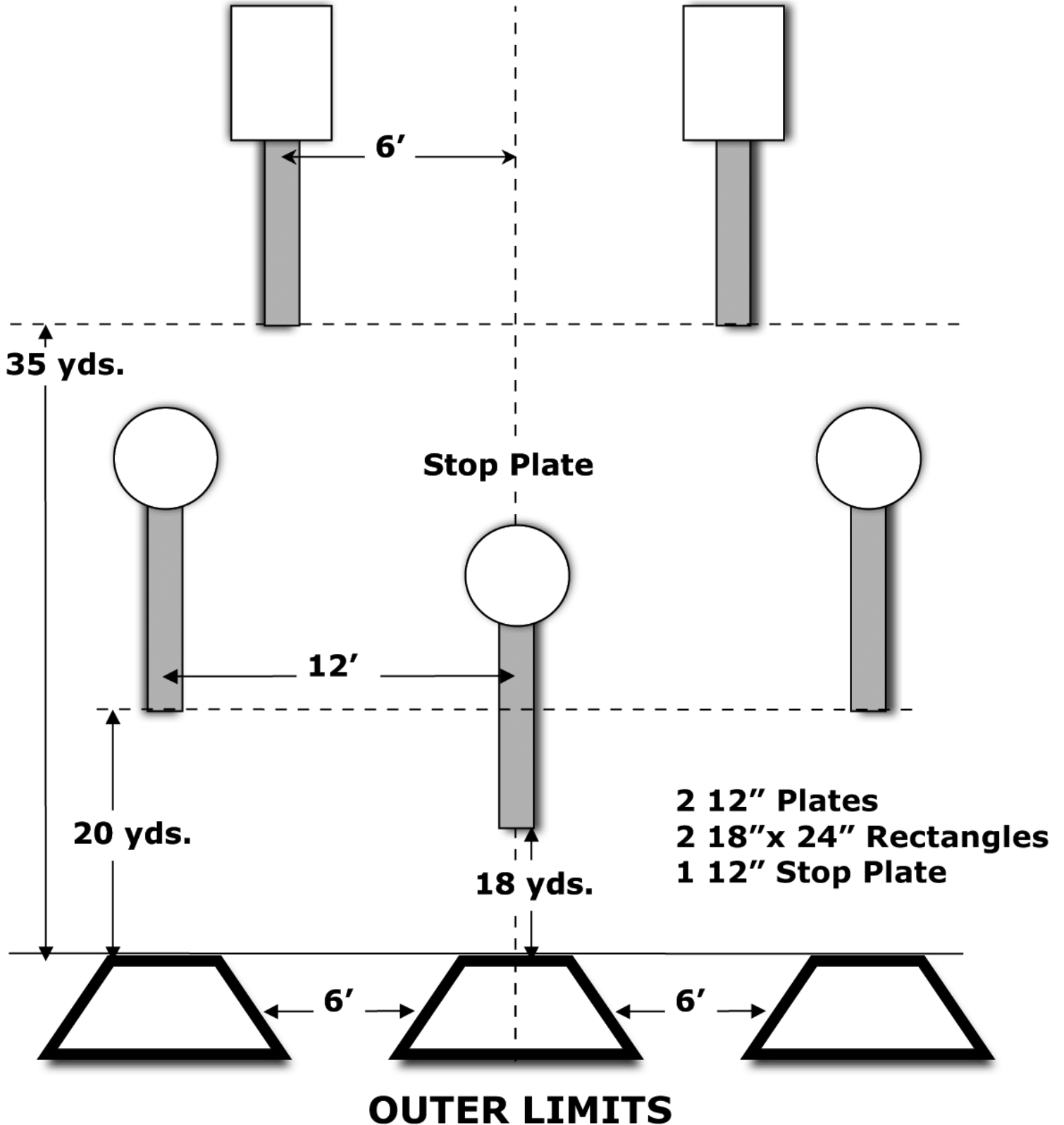
7 yds.

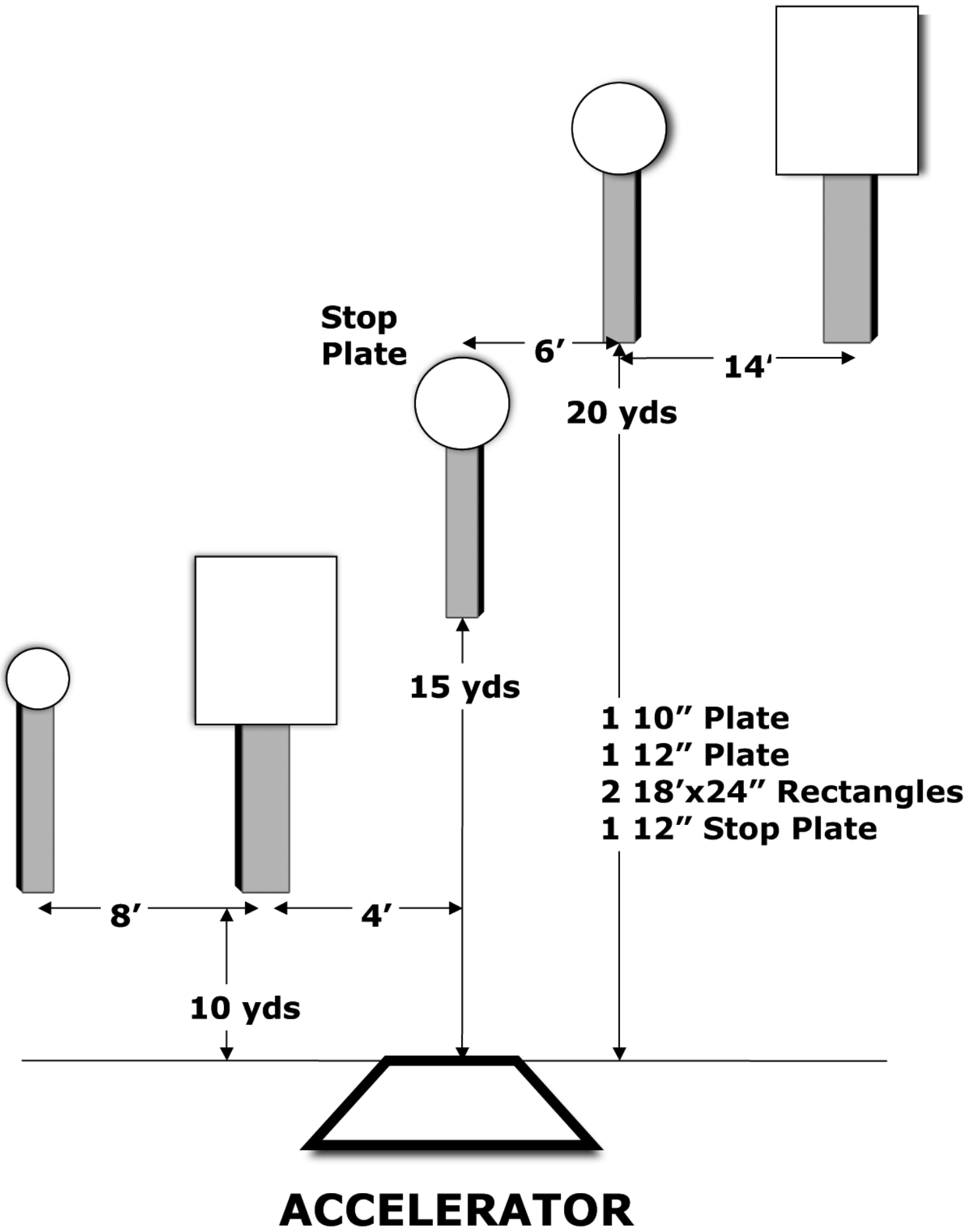
**4 18"x 24" Rectangles
1 12" Stop Plate**

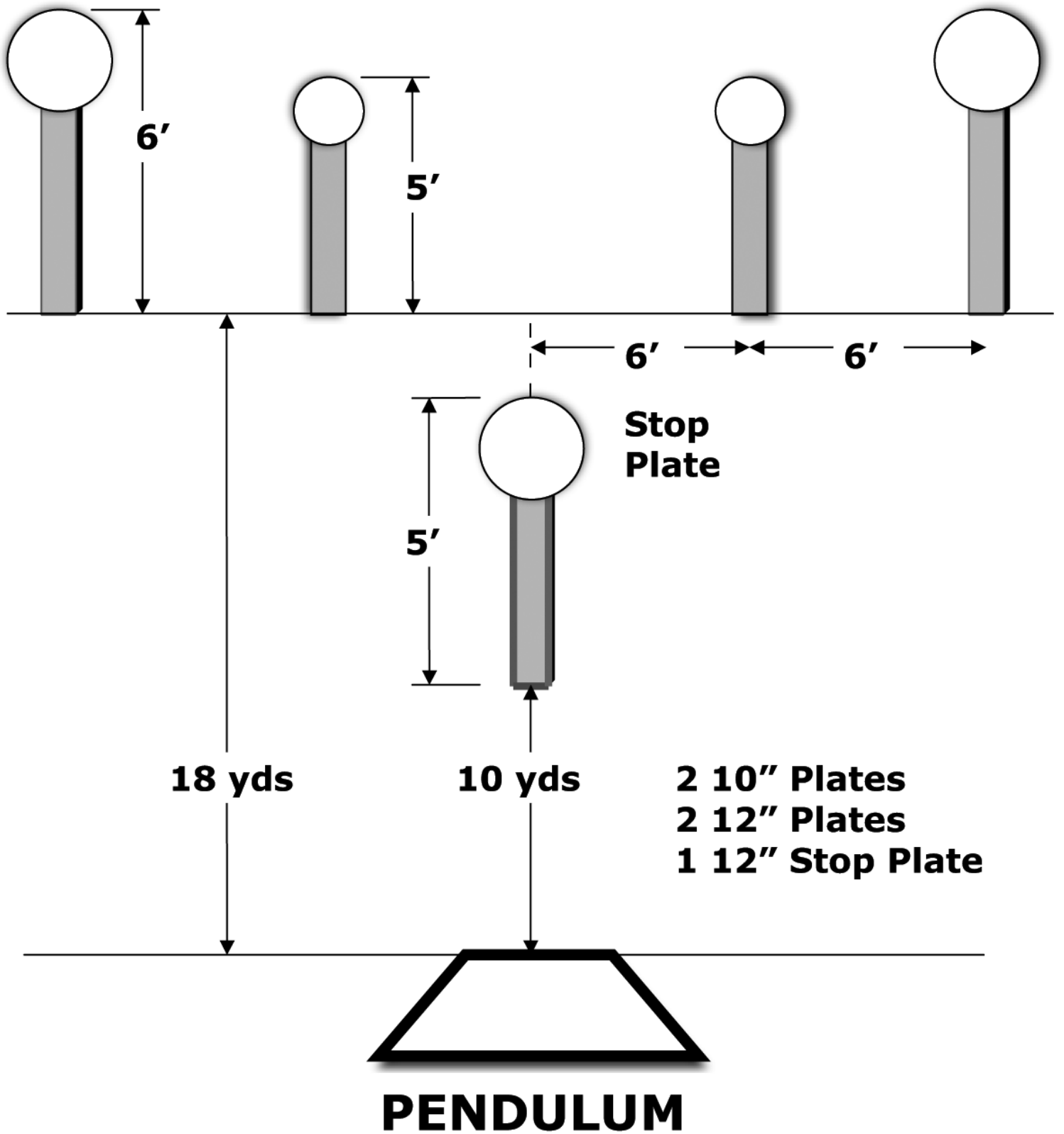
SMOKE & HOPE

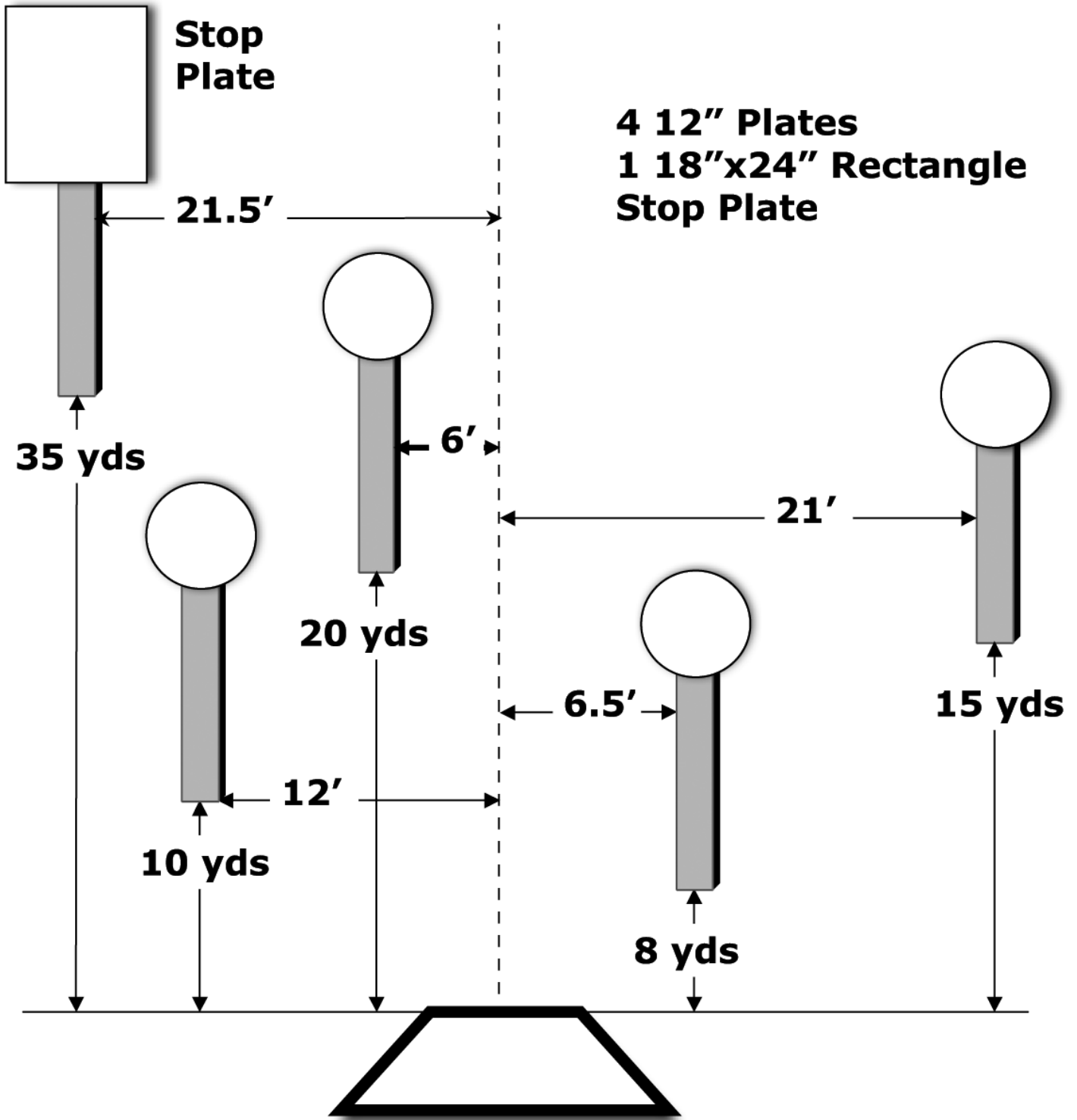
The Outer Limits will have three 4' x 4' shooting boxes. The shooter will start on their weak side shooting box and will engage the 20 and 35 yard plates on the weak side of the center line, move to the middle shooting box and engage the remaining two plates and stop plate. The distance between each of the three boxes will be 6'.

Note: Only two of the three boxes will be used by each shooter. Depending on whether you are right or left handed, you will begin in the appropriate outside box and finish in the middle box.









**Stop
Plate**

**4 12" Plates
1 18"x24" Rectangle
Stop Plate**

21.5'

35 yds

6'

21'

20 yds

6.5'

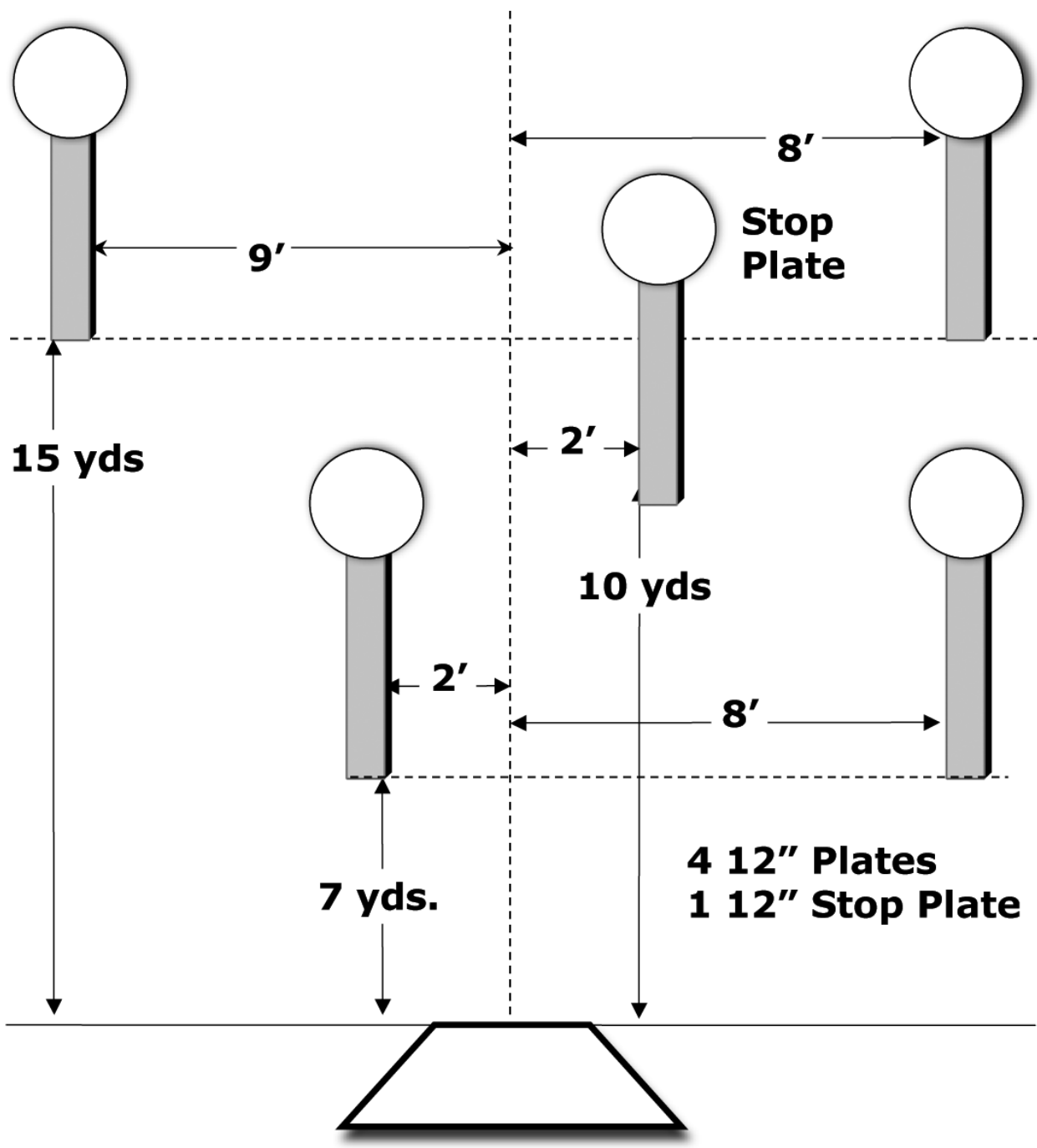
15 yds

12'

10 yds

8 yds

SPEED OPTION



ROUNABOUT